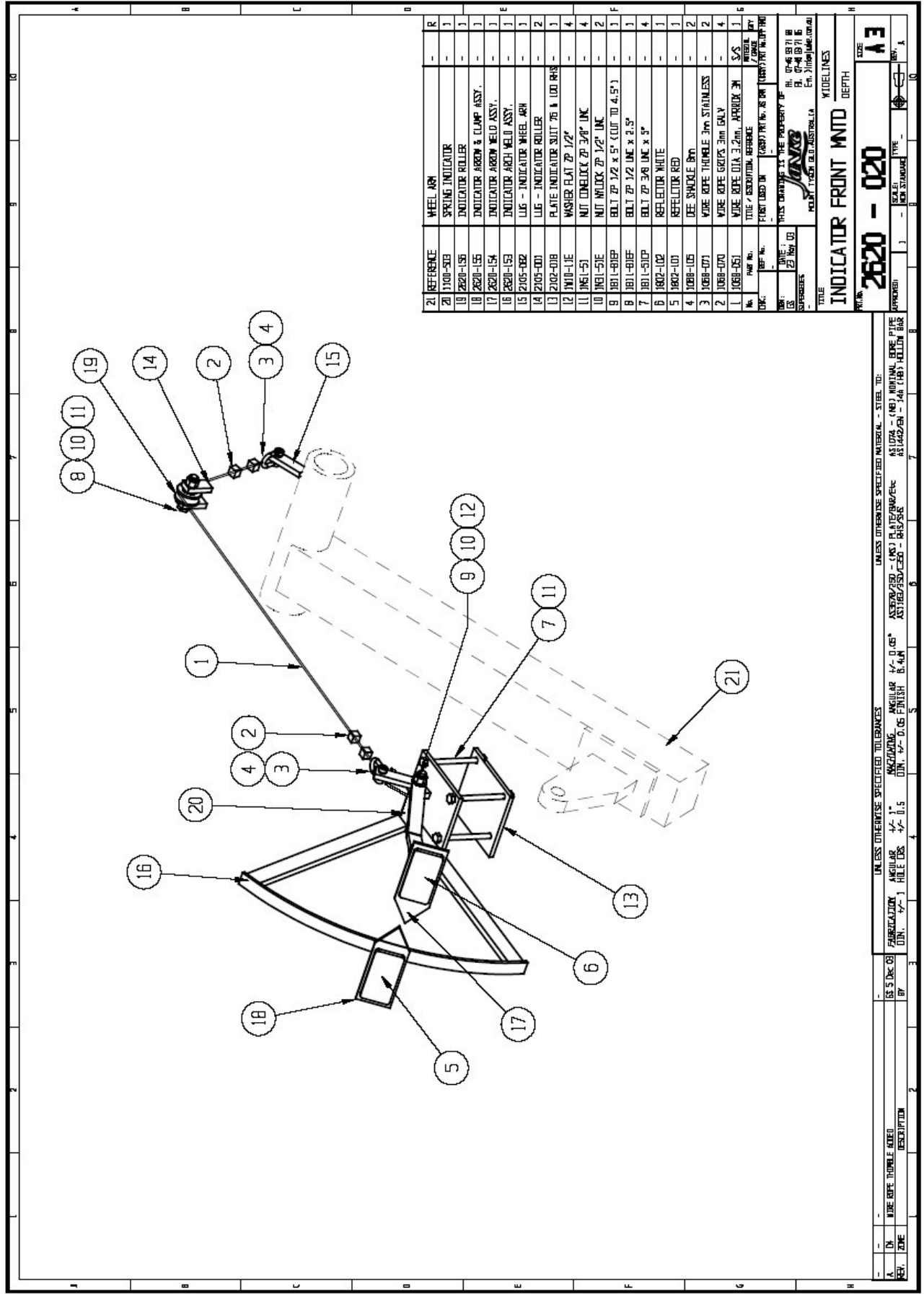




Section 15

Jacks & Indicator Assembly

¹ Janke (Australia) reserves the right to alter the pricing of any of its products without notice.



21	REFERENCE	WHEEL ARM							
20	1100-S08	SPRING INDICATOR							
19	2820-156	INDICATOR ROLLER							
18	2820-156	INDICATOR ARM & CLAMP ASSY.							
17	2820-154	INDICATOR ARM WELD ASSY.							
16	2820-153	INDICATOR ARM WELD ASSY.							
15	2105-002	LUG - INDICATOR WHEEL ARM							
14	2105-001	LUG - INDICATOR ROLLER							
13	2102-018	PLATE INDICATOR SUIT 7/8 & 1/01 RHS							
12	11010-11E	WASHER FLAT ZP 1/2"							
11	1161-51	NUT CONELOCK ZP 3/8" UNC							
10	1161-51E	NUT CONELOCK ZP 1/2" UNC							
9	1011-808P	BOLT ZP 1/2" x 5" (OUT TO 4.5")							
8	1011-808F	BOLT ZP 1/2" UNC x 2.5"							
7	1011-510P	BOLT ZP 3/8" UNC x 3"							
6	1002-102	REFLECTOR WHITE							
5	1002-101	REFLECTOR RED							
4	1088-105	DEE SHOULDER B7N							
3	1068-071	WIRE ROPE THIMBLE 3/16" STAINLESS							
2	1068-070	WIRE ROPE GRIPS 3/16" GALV							
1	1068-151	WIRE ROPE DIA 3/16" APPROX 3M							

UNLESS OTHERWISE SPECIFIED TOLERANCES
FABRICATION ANGULAR 1/4°
FINISH HOLE DIA 1/2" ± 0.005
HOLE DIA 1/4" ± 0.005
FINISH B. 4.8 ± 0.05
MACHINING ANGULAR 1/4°
FINISH HOLE DIA 1/2" ± 0.005
HOLE DIA 1/4" ± 0.005

UNLESS OTHERWISE SPECIFIED MATERIAL - STEEL TO:
ASTM A106 - (API) B (PERMITS)
ASTM A307 (SEE) 5008
ASTM A148 (H) HELIX
ASTM A148 (H) HELIX

DATE	BY	APPROVED

THIS DRAWING IS THE PROPERTY OF
JACOBS TOOL & DIE CO. ANY REPRODUCTION
WITHOUT WRITTEN PERMISSION IS STRICTLY FORBIDDEN.

SOLE U.S. MANUFACTURER
JACOBS TOOL & DIE CO.
Evanston, Illinois, U.S.A.

SIZE
AE

DEPTH

INDICATOR FRONT MFD

2620 - 020

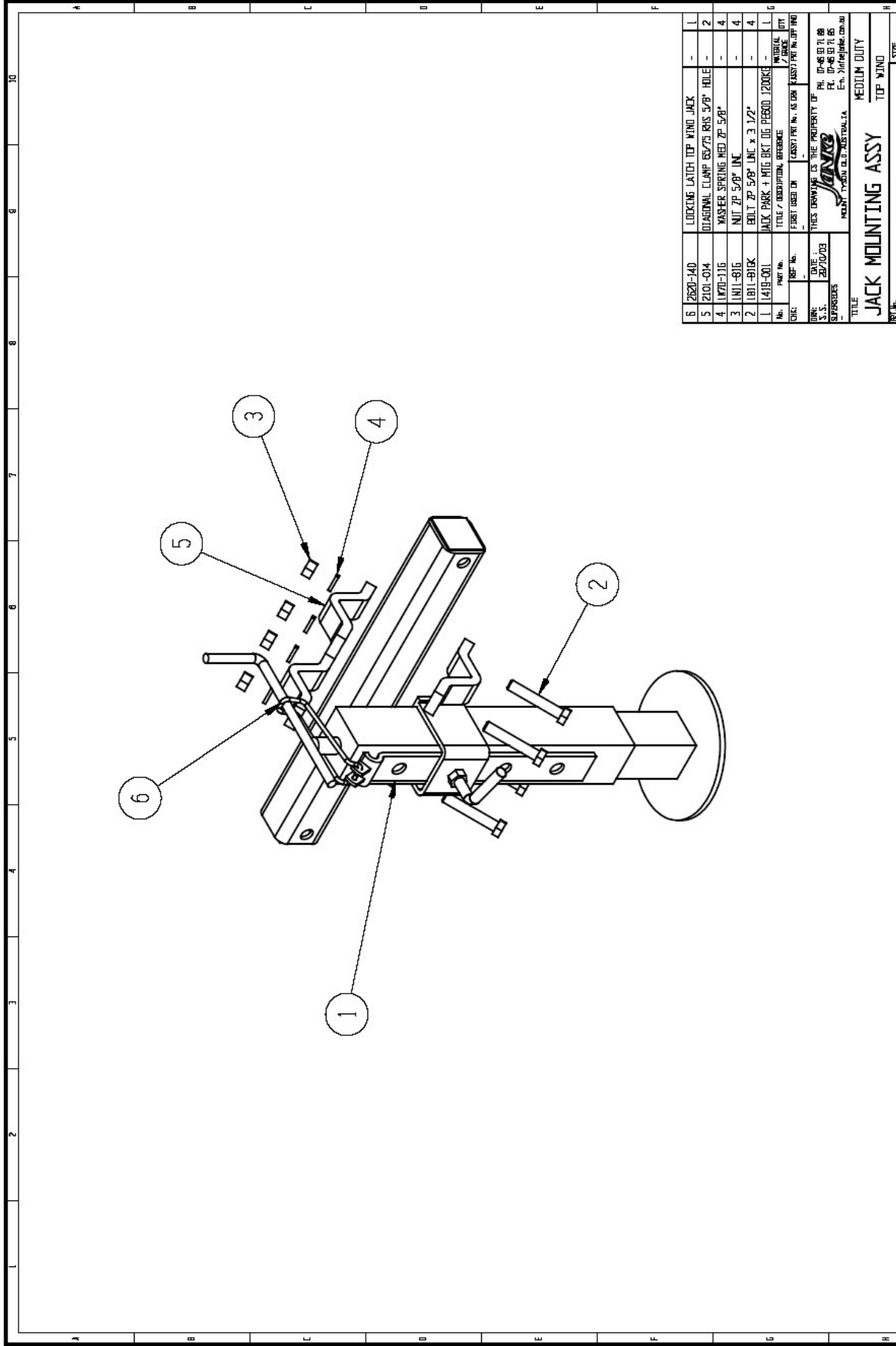


Price List for Indicator Marker Assy
2620-020

Individual Components:

No.	Part No.	Description	Qty.
1	1068-051	WIRE ROPE Dia. 3.2mm STAINLESS STEEL	1
2	1068-070	WIRE ROPE GRIP 3mm GALV	4
3	1068-071	WIRE ROPE THIMBLE 3mm STAINLESS STEEL	2
4	1068-105	DEE SHACKLE 8MM	2
5	1802-101	REFLECTOR RED 105 X55 MM (2/PKT) MF # 84062BL	1
6	1802-102	REFLECTOR CLEAR 105 X 55MM (2/PACKET) MF # 84060BL	1
7	1B11-51CP	BOLT ZP 3/8 UNC X 5"	4
8	1B11-81EF	BOLT ZP 1/2 UNC X 2 1/2"	1
9	1B11-81EP	BOLT ZP 1/2 UNC X 5"	1
10	1N31-51E	NUT NYLOC ZP 1/2"UNC	2
11	1N51-51C	NUT CONELOCK ZP 3/8"UNC	4
12	1W10-11E	WASHER FLAT ZP 1/2"	4
13	2102-018	PLATE INDICATOR SUIT 76 & 100 RHS 4 HOLE	1
14	2105-001	LUG 50 X 8 FMS P/WHEEL	2
15	2105-082	LUG INDICATOR WHEEL ARM	1
16	2620-153	INDICATOR ARCH	1
17	2620-154	INDICATOR ARM WELD ASSEMBLY	1
18	2620-155	INDICATOR ARROW & CLAMP PLATE	1
19	2620-156	INDICATOR INDICATOR ROLLER	1
20	1100-503	INDICATOR SPRING (Rev B)	1
21	REFERENCE	WHEEL ARM	R

² Janke (Australia) reserves the right to alter the pricing of any of its products without notice.



6	2620-140	LOCKING LATCH TOP WIND JACK	-	1															
5	2101-014	DIAGONAL CLAMP 65/75 RHS 5/8" HOLE	-	2															
4	1170-116	WASHER SPRING MED ZP 5/8"	-	4															
3	1101-016	NUT ZP 5/8" IN	-	4															
2	1101-016	BOLT ZP 5/8" INC x 3 1/2"	-	4															
1	1415-001	JACK PARK 1 HIG BKT DG PERIOD 1200K	-	1															
<table border="1"> <tr> <th>Part No.</th> <th>Title / Description, Reference</th> <th>Material / Source</th> </tr> <tr> <td>-</td> <td>FIRST USED ON</td> <td>CASBY / PWT No. AS ON CASBY / PWT No. (OFF) NO</td> </tr> <tr> <td>-</td> <td>THIS DRAWING IS THE PROPERTY OF</td> <td>P.O. 07-46 83 71 66</td> </tr> <tr> <td>-</td> <td>S.S.S.</td> <td>P.O. 07-46 83 71 66</td> </tr> <tr> <td>-</td> <td>SHIPPERS</td> <td>En: 2101@pda.com.au</td> </tr> </table>					Part No.	Title / Description, Reference	Material / Source	-	FIRST USED ON	CASBY / PWT No. AS ON CASBY / PWT No. (OFF) NO	-	THIS DRAWING IS THE PROPERTY OF	P.O. 07-46 83 71 66	-	S.S.S.	P.O. 07-46 83 71 66	-	SHIPPERS	En: 2101@pda.com.au
Part No.	Title / Description, Reference	Material / Source																	
-	FIRST USED ON	CASBY / PWT No. AS ON CASBY / PWT No. (OFF) NO																	
-	THIS DRAWING IS THE PROPERTY OF	P.O. 07-46 83 71 66																	
-	S.S.S.	P.O. 07-46 83 71 66																	
-	SHIPPERS	En: 2101@pda.com.au																	
TITLE JACK MOUNTING ASSY MEDIUM DUTY TOP WIND			SIZE A3																

UNLESS OTHERWISE SPECIFIED MATERIAL - STEEL TO	
FABRICATION	ANGULAR ± 1°
BY	ANGULAR ± 0.05°
DESCRIPTION	HOLE CTS ± 0.5
	DIM. ± 0.05 FINISH 8.4 μm
	AS 1074 - (MS) MINIMUM BEBE PIPE
	AS 1137/AS 1150 - RISE/SIS
	AS 1424/81 - (AA) 1183 HOLLOW BAR
REV. ZONE	
REV.	

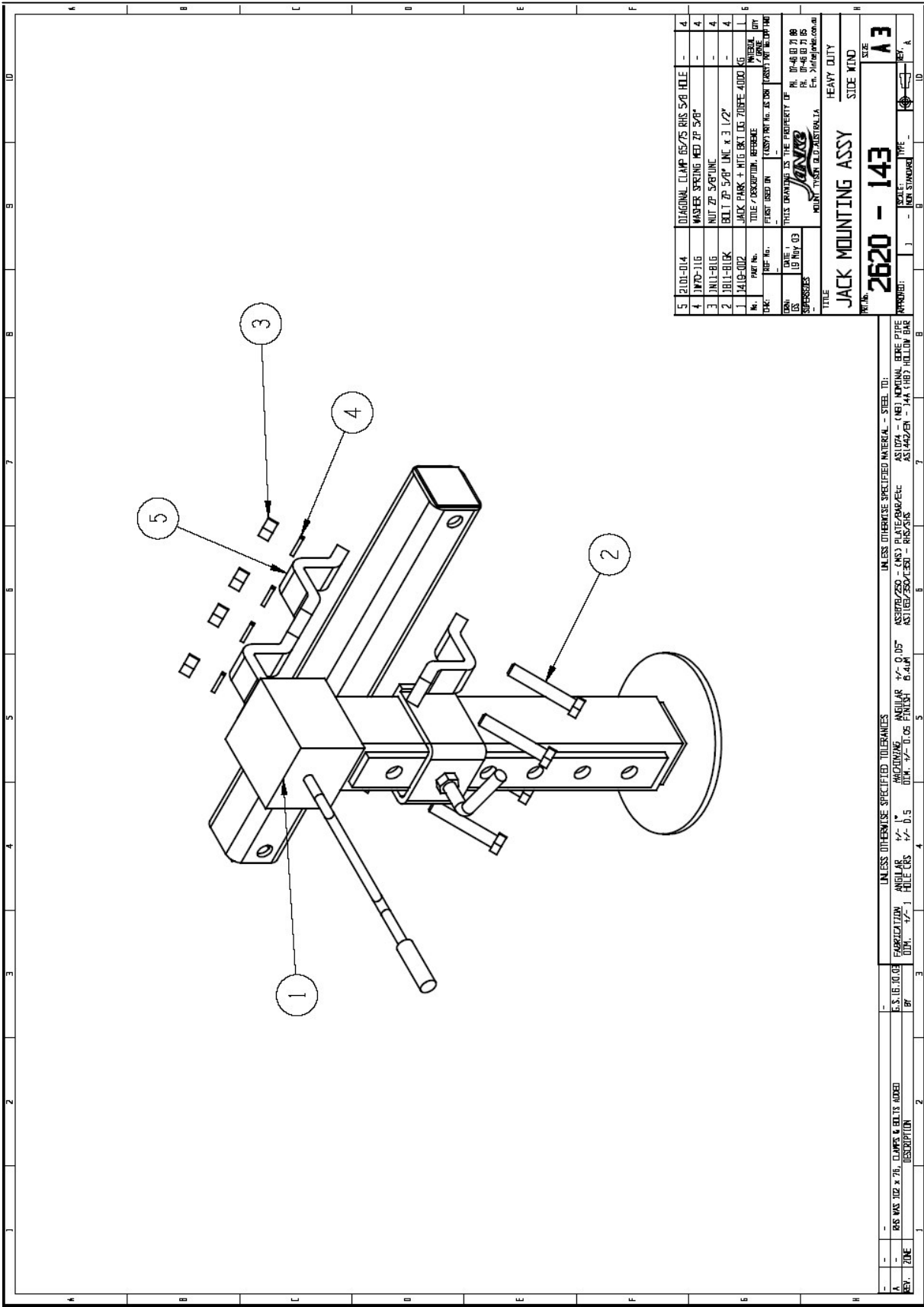


Price List for Jack Mounting Assy.
2620-106

Individual Components:

No.	Part No.	Description	Qty.
1	1419-001	JACK PARKING TOP WIND PE600 1200 kg	1
2	1B11-81GK	BOLT ZP 5/8 UNC X 3 1/2"	4
3	1N11-81G	NUT ZP 5/8"UNC	4
4	1W70-11G	WASHER SPRING MED ZP 5/8"	4
5	2101-014	DIAGONAL CLAMP 65/75 RHS 5/8 HOLE X	2
6	2620-140	LOCKING LATCH TOP WIND JACK	1

³ Janke (Australia) reserves the right to alter the pricing of any of its products without notice.



5	2101-014	DIAGONAL CLAMP 65/75 BRIS 5/8" HOLE	-	4
4	1N7D-116	MASTER SPRING 160 ZP 5/8"	-	4
3	1N11-816	NUT ZP 5/8"	-	4
2	1N11-816K	BELT ZP 5/8" LINC. R. 3 1/2"	-	4
1	1419-002	JACK PARK + NIG BKT 65 ZORPE 41000 KG	-	6
PART No.		TITLE / DESCRIPTION, REFERENCE		
DATE		DRAWN BY		
BY		CHECKED BY		
DATE		APPROVED BY		
THIS DRAWING IS THE PROPERTY OF JAMES HARDY 101 WY 03 SUPERSEDES P.O. BOX 188 MOUNT TYPHOON, N.S.W. 2125 Ph. 07-48 87 88 Fx. 07-48 87 85 E-mail: info@james.com.au				

TITLE JACK MOUNTING ASSY HEAVY DUTY SIDE WIND	
PWT. No. 2620 - 143	SIZE A3
DRAWN BY 1 DATE 1	CHECKED BY 1 DATE 1

UNLESS OTHERWISE SPECIFIED TOLERANCES ANGULAR 1/2° HOLE CRS 1/2° - 0.5	UNLESS OTHERWISE SPECIFIED MATERIAL - STEEL TD: ASSTR/AZ50 - CMS PLATE/MS/SLC AS1470/250 - CMS PLATE/MS/SLC AS1470/250 - CMS PLATE/MS/SLC AS1470/250 - CMS PLATE/MS/SLC
FABRICATION D.P. 1/2 HOLE CRS 1/2° - 0.5	ANCHORING D.P. 1/2 HOLE CRS 1/2° - 0.5
S.S. 16.10.05 BR	ANCHORING D.P. 1/2 HOLE CRS 1/2° - 0.5
BRIS WAS 102 x 76, CLAMPS & BELTS ADDED DESCRIPTION 2	ANCHORING D.P. 1/2 HOLE CRS 1/2° - 0.5

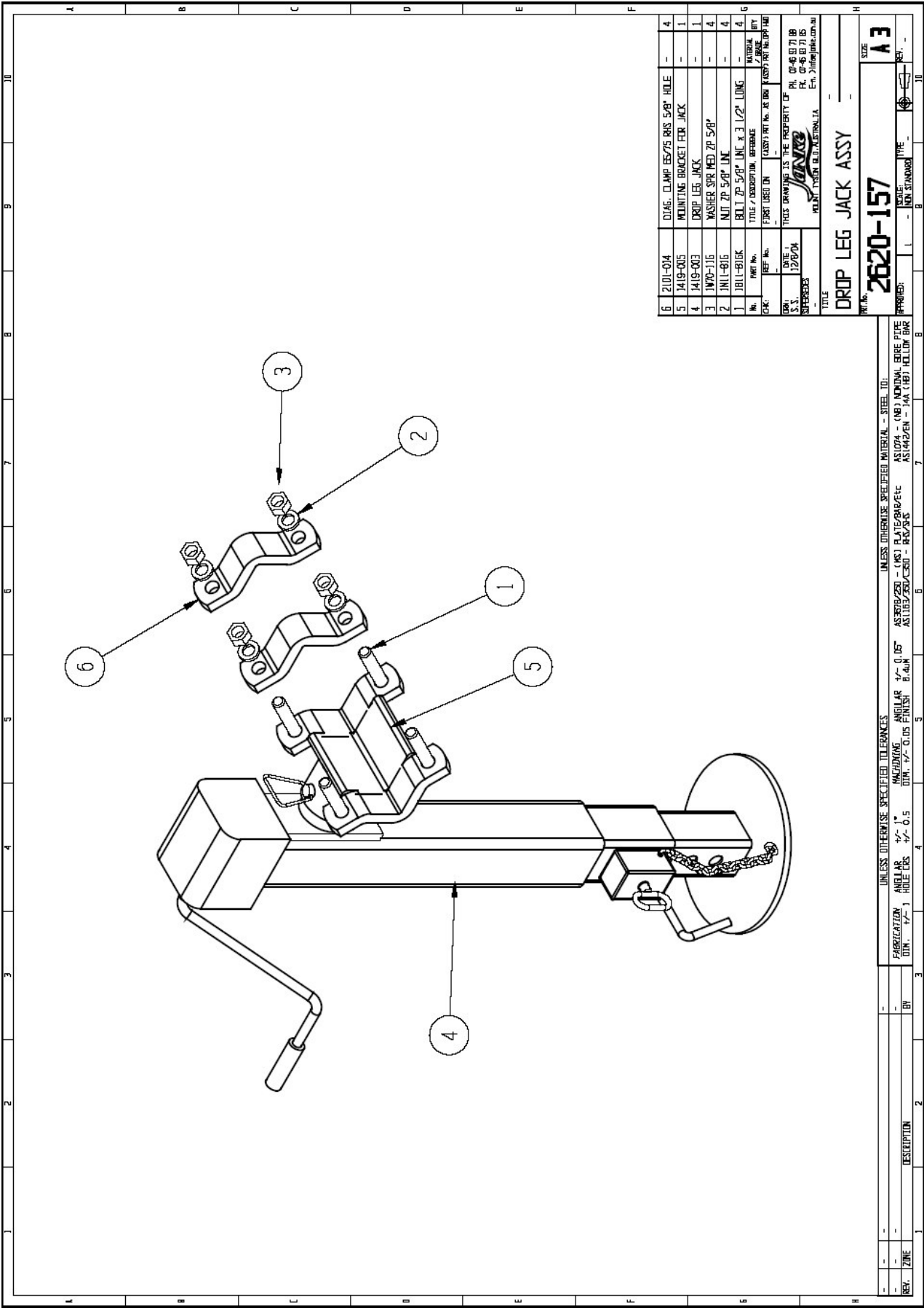


Prices for Jack Mounting Assy.
2620-143

Individual Components:

No.	Part No.	Description	Qty
1	1419-002	JACK PARKING + MTG BKT DG 706PE 4000 KG	1
2	1B11-81GK	BOLT ZP 5/8 UNC X 3 1/2"	4
3	1W70-11G	WASHER SPRING MED ZP 5/8"	4
4	1N11-81G	NUT ZP 5/8"UNC	4
5	2101-014	DIAGONAL CLAMP 65/75 RHS 5/8 HOLE X 40	4

⁴ Janke (Australia) reserves the right to alter the pricing of any of its products without notice.



6	2101-014	DIAG. CLAMP BRACKET FOR 5/8" HOLE	-	4
5	1419-005	DIAG. CLAMP BRACKET FOR JACK	-	1
4	1419-003	DROP LEG JACK	-	1
3	1470-115	WASHER SPR MED ZP 5/8"	-	4
2	1411-015	NUT ZP 5/8" IN	-	4
1	1011-018K	BOLT ZP 5/8" IN X 3 1/2" LONG	-	4
1	REF No.	TITLE / DESCRIPTION / REFERENCE	QUANTITY	UNIT
		FIRST USED ON	CLASSY PART No. & QTY	ISSY PART No. & QTY
REV	DATE	BY	TITLE DRAWING AS THE PROPERTY OF	
33	12/07/04	BV	PH. 07-46 83 71 89	
SUNBELTS		SUNBELTS PTY LTD AUSTRALIA		EX. 07-46 83 71 85
		E-mail: info@sunbelts.com.au		
TITLE				
DROP LEG JACK ASSY				SIZE
REF No.				A3
REV				
DESCRIPTION				ISSUE
				REV.

UNLESS OTHERWISE SPECIFIED TOLERANCES	UNLESS OTHERWISE SPECIFIED MATERIAL - STEEL TO:
FABRICATION DIM. +/- 1" ANGLE +/- 0.05	AS 3678/250 - (MS) NOMINAL BORE PIPE
FINISH DIM. +/- 0.05	AS 1074 - (MS) NOMINAL BORE PIPE
WELDING DIM. +/- 0.5	AS 1442/EN - 14A (1B) HOLLOW BAR
ANGULAR FINISH	AS 1442/EN - 14A (1B) HOLLOW BAR
ANGULAR	AS 1442/EN - 14A (1B) HOLLOW BAR
HOLE FINISH	AS 1442/EN - 14A (1B) HOLLOW BAR
HOLE DIM.	AS 1442/EN - 14A (1B) HOLLOW BAR
DESCRIPTION	



5

Price List for Drop Leg Jack 2620-157

Individual Components:

No.	Part No.	Description	Qty.
	1B11-81GK	BOLT ZP 5/8 UNC X 3 1/2"	4S
	1N11-81G	NUT ZP 5/8"UNC	4S
	1W70-11G	WASHER SPRING MED ZP 5/8"	4S
	1419-003	JACK PARKING WITH DROP LEG 3000KG	1S
	1419-005	JACK MOUNTING CLAMP SUIT DROP LEG	1S
	2101-014	DIAGONAL CLAMP 65/75 RHS 5/8 HOLE X 40	4S

⁵ Janke (Australia) reserves the right to alter the pricing of any of its products without notice.

